

**HOBO® Pendant
Event/Temp Data Logger
(Part # UA-003-64)**

Inside this package:

- HOBO Pendant®
Event/Temp
Data Logger
- Tie wraps and
adhesive mount

Doc # 9831-F, MAN-UA-003
Onset Computer Corporation

Thank you for purchasing a HOBO data logger. With proper care, it will give you years of accurate and reliable measurements.

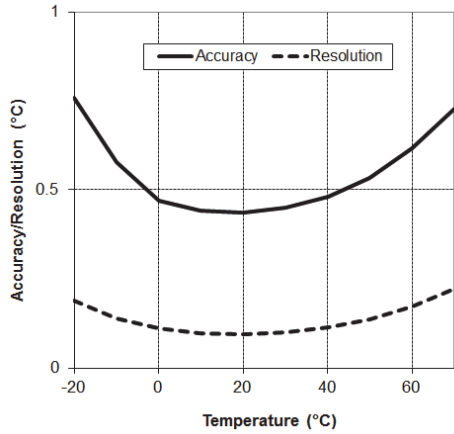
The HOBO Pendant Event/Temp Data Logger is a rugged, weatherproof event logger with a 10-bit temperature sensor. It is ideal for use with tipping-bucket rain gauges, and can record tens of thousands of measurements and events. The logger uses a coupler and optical base station with USB interface for launching and data readout by a computer.

A base station, coupler, and HOBOWare® software are required for logger operation. Visit www.onsetcomp.com for compatibility information.

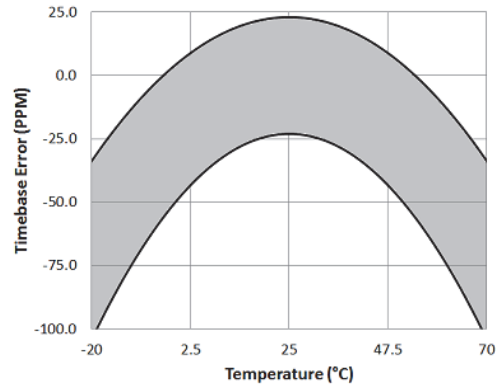


Specifications

External event input	
Event sensor	Two-wire interface suitable for measuring mechanical and electrical contact closures
Maximum input frequency	1 Hz (1 pulse per second)
Lockout time	500 ms
Minimum pulse width	1 ms (hardware debounce)
Input/output impedance	100 kΩ
Edge detection	Falling edge, contact closure, or Schmitt-trigger buffer
Preferred switch type	Normally open. For maximum battery life, the event input should be used with its preferred switch type. The logger will work with normally closed switches, but battery life will be compromised.
Open circuit input voltage	Battery voltage; nominally 3.0 V
Maximum input voltage	Battery voltage + 0.3 V
User connection	24 AWG, 2 leads: white (+), black (-)
Temperature measurement	
Measurement range	-20° to 70°C (-4° to 158°F)
Accuracy	± 0.53°C from 0° to 50°C (± 0.95°F from 32° to 122°F), see Plot A. A solar radiation shield is required for accurate temperature measurements in sunlight.
Resolution	0.14°C at 25°C (0.25°F at 77°F), see Plot A
Drift	Less than 0.1°C/year (0.2°F/year)
Response time	Airflow of 2 m/s (4.4 mph): 10 minutes, typical to 90%
Logger	
Time accuracy	± 1 minute per month at 25°C (77°F), see Plot B
Operating range	-20° to 70°C (-4° to 158°F)
Environmental rating	Tested to NEMA 6 and IP67; suitable for deployment outdoors
Drop specification	1.5 m (5 ft) onto concrete
NIST traceable certification	Available for temperature only at additional charge; temperature range -20° to 70°C (-4° to 158°F)
Battery	CR-2032 3V lithium battery; 1 year typical use
Memory	64K bytes; see "Data storage" on page 3.
Materials	Polypropylene case; stainless steel screws; Buna-N o-ring; PVC cable insulation
Weight	50 g (1.7 oz.)
Dimensions	71 x 33 x 23 mm (2.8 x 1.3 x 0.9 inches); 1.8 m (6 ft) cable
CE	The CE Marking identifies this product as complying with the relevant directives in the European Union (EU).



Plot A



Plot B

Connecting the logger to the computer

The HOBO Pendant logger requires either of the following to connect to the computer:

- Pendant Optic USB Base Station & Coupler (part # BASE-U-1); HOBOWare 2.1 or later

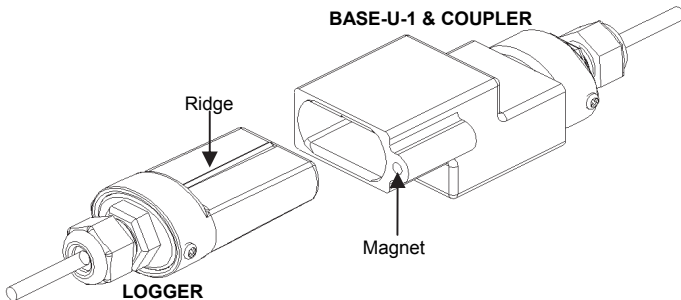
OR

- Optic USB Base Station (part # BASE-U-4) or HOBO Waterproof Shuttle (part # U-DTW-1); coupler (part # COUPLER2A); HOBOWare 2.2 or later

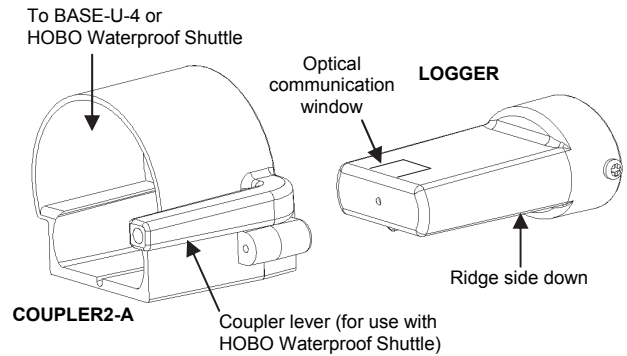
If possible, avoid connecting at temperatures below 0°C (32°F) or above 50°C (122°F).

1. Plug the USB connector on the base station into an available USB port on your computer.
2. Insert the logger and the base station into the coupler, as shown in the following diagrams.

For BASE-U-1, make sure that the logger is inserted in the end of the coupler that has the magnet, and that the ridges on the base station and logger are aligned with the grooves in the coupler.



For BASE-U-4 or the HOBO Waterproof Shuttle, firmly insert the optical end of the base station into the D-shaped end of the coupler, and make sure that the ridge on the logger is aligned with the groove in the coupler.



3. If you are using the HOBO Waterproof Shuttle, briefly press the coupler lever to put the shuttle into base station mode.
4. If the logger has never been connected to the computer before, it may take a few seconds for the new hardware to be detected.
5. Use the logger software to launch and read out the logger.

You can read out the logger or check its status while it continues to log, stop it manually with the software, or let it record data until the memory is full. Refer to the software user's guide for complete details on launching, reading out, and viewing data from the logger.

Important: Do not cover the optical communication window in the logger (shown in diagram above) with a label or sticker as that may interfere with the communications with the base station or shuttle.

Connecting to a tipping-bucket rain gauge

The logger’s black and white input wires can be connected directly to the relay output of most tipping-bucket rain gauges. (Polarity of the input connection is not important.) If your gauge came with a counter display and battery, disconnect these and attach the HOBO Pendant Event/Temp logger instead.

Be careful not to touch the logger’s input wires together when connecting or disconnecting the logger while it is logging, as this will record a false event.

Triggered start

This logger can be configured to start at your command, using the magnet in the coupler to trigger a start.

1. Use the logger software to launch the logger with Trigger Start selected. Remove the logger from the coupler.
2. Bring the logger and an empty coupler or strong magnet to the deployment location.

Important: Any magnet can trigger a start. This can be helpful, but it can also cause a premature start. Keep the logger away from strong magnetic fields until you are ready to begin logging.

3. When you are ready for the logger to start logging (for example, after connecting the logger to an external device such as a rain gauge), insert the logger into the empty coupler (or place it next to a strong magnet) and remove it after three seconds. **Important: The logger will not launch if the base station is in the coupler.**
4. Verify that the logger’s light is blinking at least every four seconds.

Event logging

The external event channel records the times of transitions from an open contact to a closed contact. The logger checks continuously for transitions. When a transition occurs, it is recorded as an event with a resolution of one second.

The external event channel has a built-in lockout time of 500 milliseconds. The lockout time serves to debounce mechanical switches. To guarantee event capture, the pulse must have a minimum duration of 1 millisecond.

Like other U-Series loggers, this logger stores internal events that are unrelated to the external event inputs. Internal events are stored when the coupler is attached or detached, when the battery drops below approximately 2.7V, when the battery rises above 2.8V, when a host computer is connected, and when the logger is stopped by a command from the host software.

Operation

A light (LED) on the front of the logger confirms logger operation. The following table explains when the light blinks during logger operation.

When:	The light:
The logger is logging	Blinks once every one to four seconds (the shorter the logging interval, the faster the light blinks); blinks when logging a sample
The logger is awaiting a start because it was launched in Start At Interval, Delayed Start, or Trigger Start mode	Blinks once every eight seconds until logging begins

Data storage

The data logger has 64,000 bytes of nonvolatile data storage. Data storage requirements per event are a function of enabled channels and logging interval. When events are three to 12 days apart, 32 bits are required to record a single event (16,000 events). When events are less than 16 seconds apart, only 22 bits are required to record a single event (23,000 events). In most cases, 25,000 to 30,000 data points (including events, temperature, and/or battery measurements) can be logged. For most rain bucket applications, battery life, not memory capacity, will be the factor that limits deployment duration.

Protecting the logger

Do not store the logger in the coupler. Remove the logger from the coupler when you are not using it. When the logger is in the coupler or near a magnet, it consumes more power and will drain the battery prematurely.

Keep the logger away from magnets. Being near a magnet can cause false coupler events to be logged. It can also launch the logger prematurely if it was waiting for a trigger start.

If the logger is used in a humid location, periodically inspect the desiccant and dry it if it is not bright blue. To dry the desiccant, remove the desiccant pack and leave the pack in a warm, dry location until the bright blue color is restored. (Refer to the “Battery” section for instructions on removing and replacing the logger cap.)

Temperature range	Desiccant maintenance schedule
Less than 30°C (86°F)	Approximately once per year
30° to 40°C (86° to 104°F)	Approximately every six months
Over 40°C (104°F)	Approximately every three months

Note! Static electricity may cause the logger to stop logging.

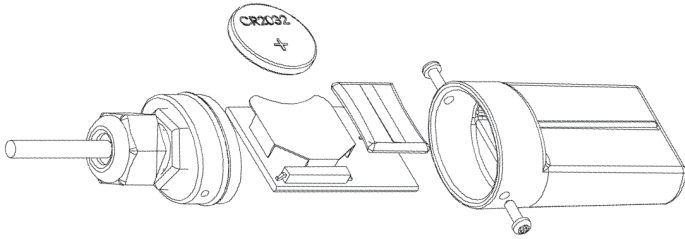
To avoid electrostatic discharge, transport the logger in an anti-static bag, and ground yourself by touching an unpainted metal surface before handling the logger. For more information, search for “static discharge” in the FAQ section on onsetcomp.com.

Battery

The logger requires one 3-Volt CR-2032 lithium battery. Battery life varies based on the temperature, the type of external switch, and the frequency at which the logger is recording data (the logging interval). A new battery typically lasts one year with logging intervals greater than one minute. Deployments in extremely cold or hot temperatures, or logging intervals faster than one minute, may significantly reduce battery life. Continuous logging at the fastest logging rate of one second will deplete the battery in as little as two weeks.

To replace the battery:

1. Remove the two screws that secure the end cap to the case and remove the cap. The circuit board is attached to the cap.



2. Examine the desiccant pack that is tucked below the battery holder. If the desiccant is not bright blue, put the desiccant pack in a warm, dry place until the blue color is restored.
3. Carefully push the battery out of the holder with a small, nonmetallic blunt instrument.
4. Insert a new battery, positive side facing up.
5. Return the circuit board, desiccant pack, and label to the case, carefully aligning the circuit board with the grooves in the case so that the battery faces the ridged side of the case.
6. Replace the end cap, ensuring that the o-ring is seated in the groove, and not pinched or twisted. Make sure no dirt or lint is trapped on the o-ring, as this could result in a leak.
7. Re-fasten the screws. Do not over-tighten the screws.

⚠ WARNING: Do not cut open, incinerate, heat above 85°C (185°F), or recharge the lithium battery. The battery may explode if the logger is exposed to extreme heat or conditions that could damage or destroy the battery case. Do not dispose of the logger or battery in fire. Do not expose the contents of the battery to water. Dispose of the battery according to local regulations for lithium batteries.

© 2005–2012 Onset Computer Corporation. All rights reserved.

Part #: MAN-UA-003, Doc #: 9831-F, Patent #: 6,826,664

Onset, HOBO, Pendant, and HOBOWare are registered trademarks of Onset Computer Corporation. Other products and brand names may be trademarks or registered trademarks of their respective owners.